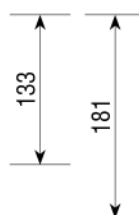
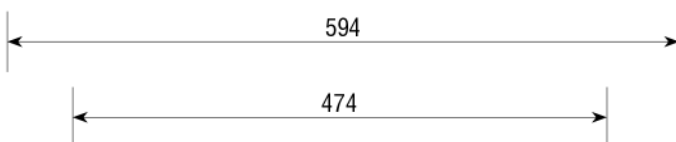
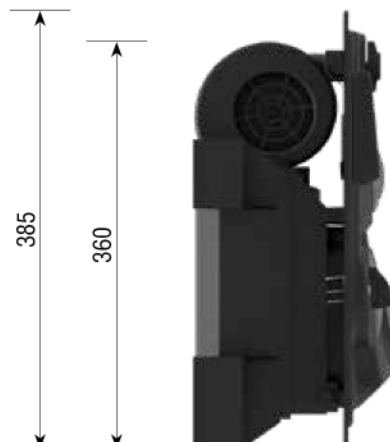


Air Conditioner Cooling & Heating  
Climatizzatore Caldo e Freddo



Position in the cabin  
Posizione in cabina





Flange expansion valve

Valvola espansione  
flangiata



Water connector  
diameter 16 mm

Connettori acqua  
diametro 16 mm

Air Conditioner Cooling & Heating / Climatizzatore Caldo e Freddo

## HVAC Cooling & Heating / Freddo e Caldo

	Part. Codice	Voltage Voltaggio	Ampere Amperaggio	Cooling Freddo	Heater Caldo	Air m <sup>3</sup> /h Aria m <sup>3</sup> /h	Weight Peso	Case Rivestimento
	<b>E01CF48</b>	12 V	15 A	6.8 kW	6 kW	650	7.4 kg	Plastic injection
	<b>E01CF49</b>	24 V	8 A	6.8 kW	6 kW	650	7.4 kg	Plastic injection
	<b>E01FF79</b>	12 V	15 A	6.8 kW	-	650	7.4 kg	Plastic injection
	<b>E01FF80</b>	24 V	8 A	6 kW	-	650	5.8 kg	Plastic injection